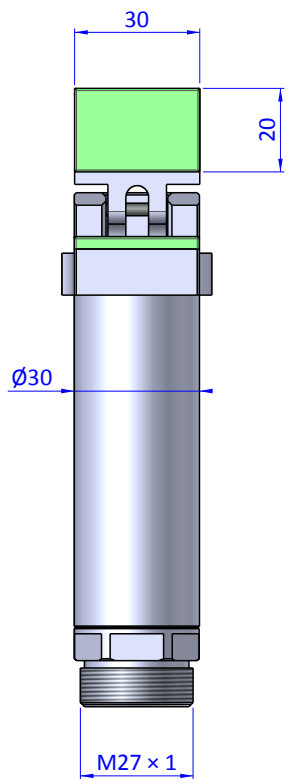
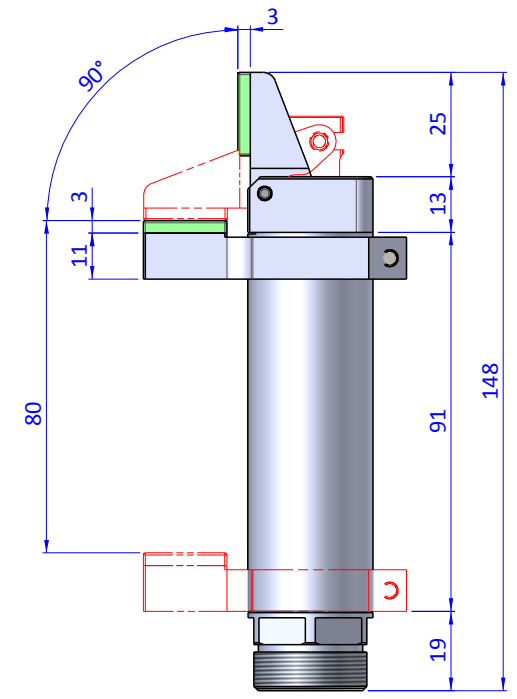
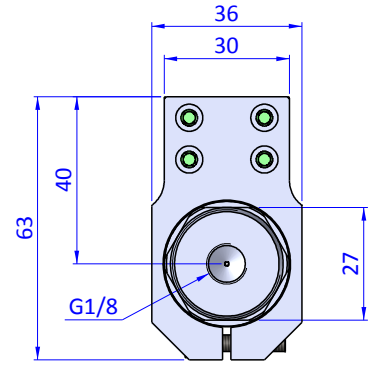
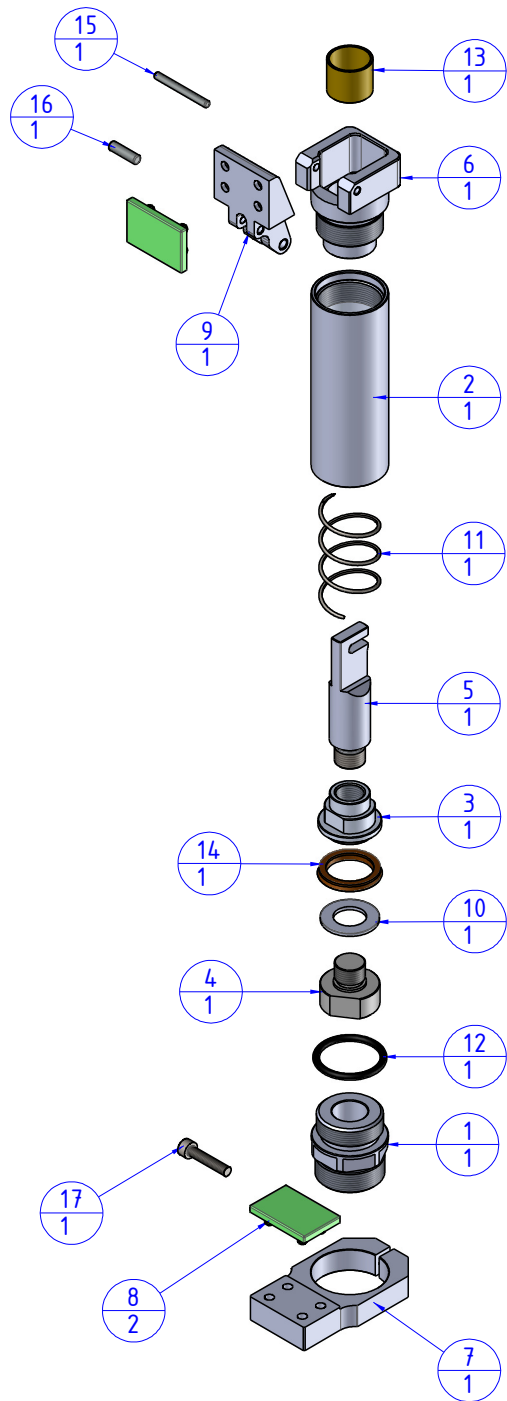



THE PROPERTY OF THE DRAWING IS ESTABLISHED BY LAW. IT IS FORBIDDEN TO PRODUCE OR SHOW IT TO THIRD PARTY WITHOUT A WRITTEN AGREEMENT.

Item	Name	Q.ty
1	GRF30.95.01	1
2	GRF30.95.02	1
3	GRF30.95.03	1
4	GRF30.95.03.2	1
5	GRF30.95.04	1
6	GRF30.95.05	1
7	GRF30.95.07	1
8	GRF30.95.08.V	2
9	GRF30.95.09	1
10	GRF30.95.10	1
11	M.24X66	1
12	OR.119	1
13	PAP.161815	1
14	PSP.251935	1
15	SP.3X28M6	1
16	SP.4X14M6	1
17	V.TCE4X20	1



Format A3
UNI 936-76

 FPS FPSERVICES AUTOMATION		DESIGNED FROM	REVIEW
		FPS Automation	A
GENERAL TOLERANCE	DESCRIPTION	DATE	WEIGHT
UNI - ISO 2768	CA.GRF.3095.G	31/07/2019	0.273kg
CLASSE F		CODE	
		CA.GRF.3095.G	